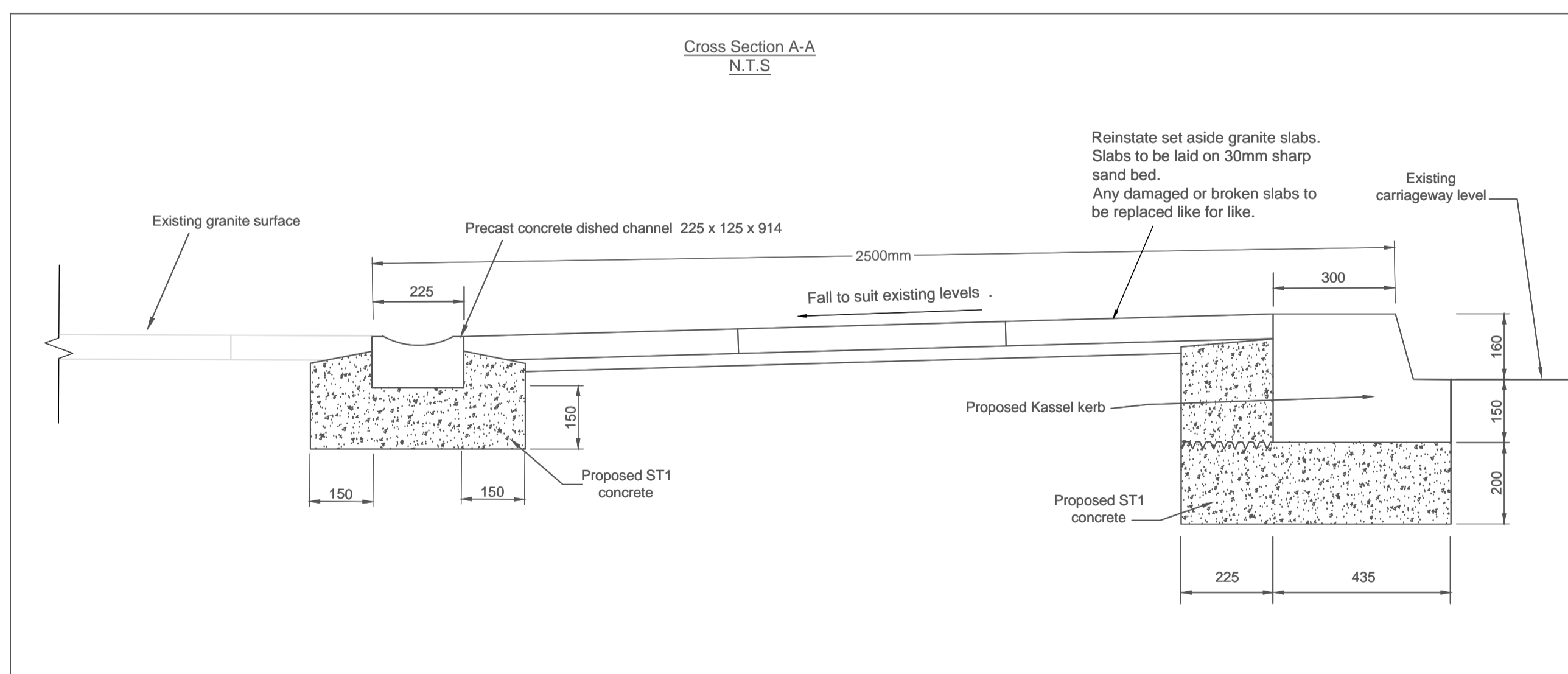
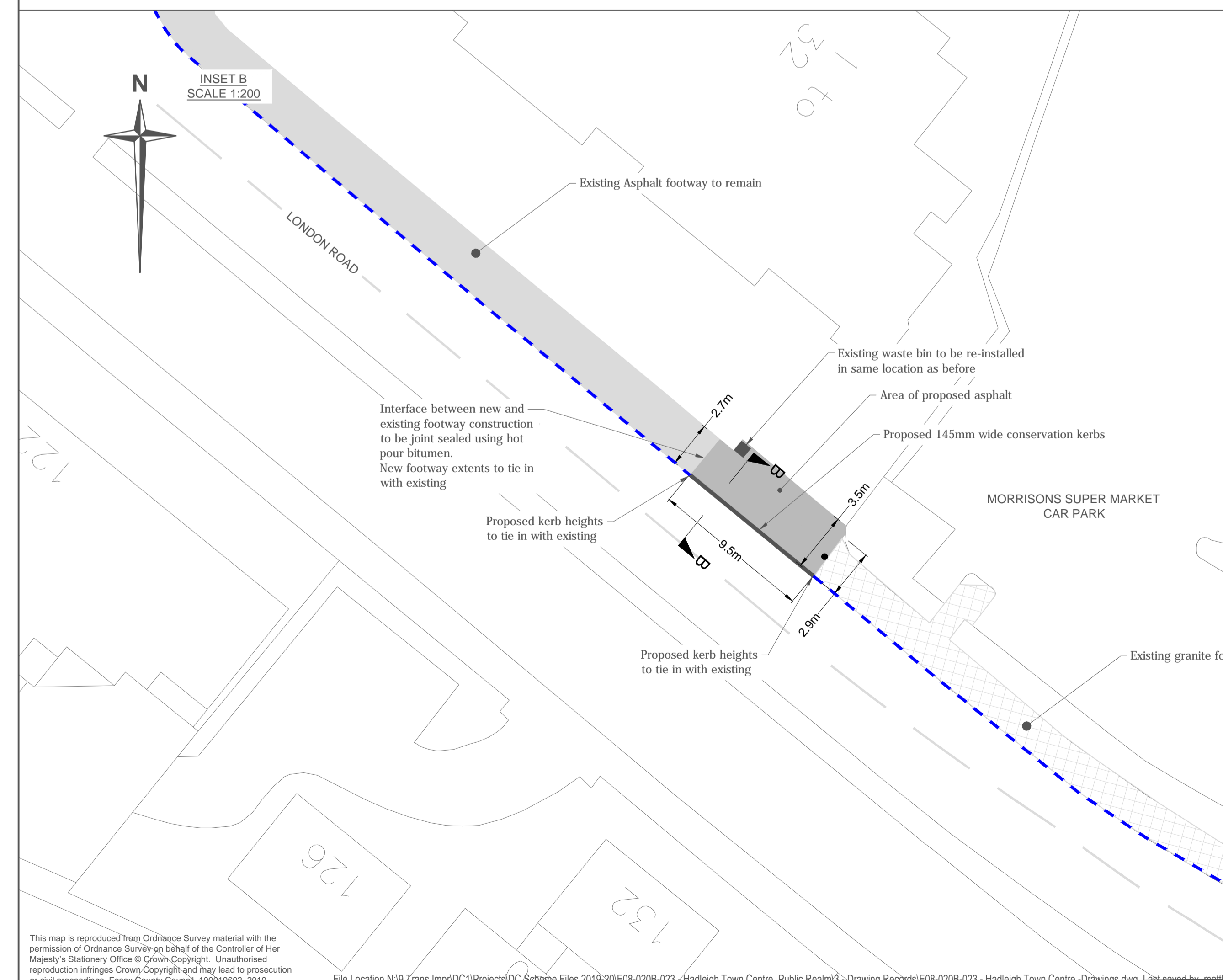
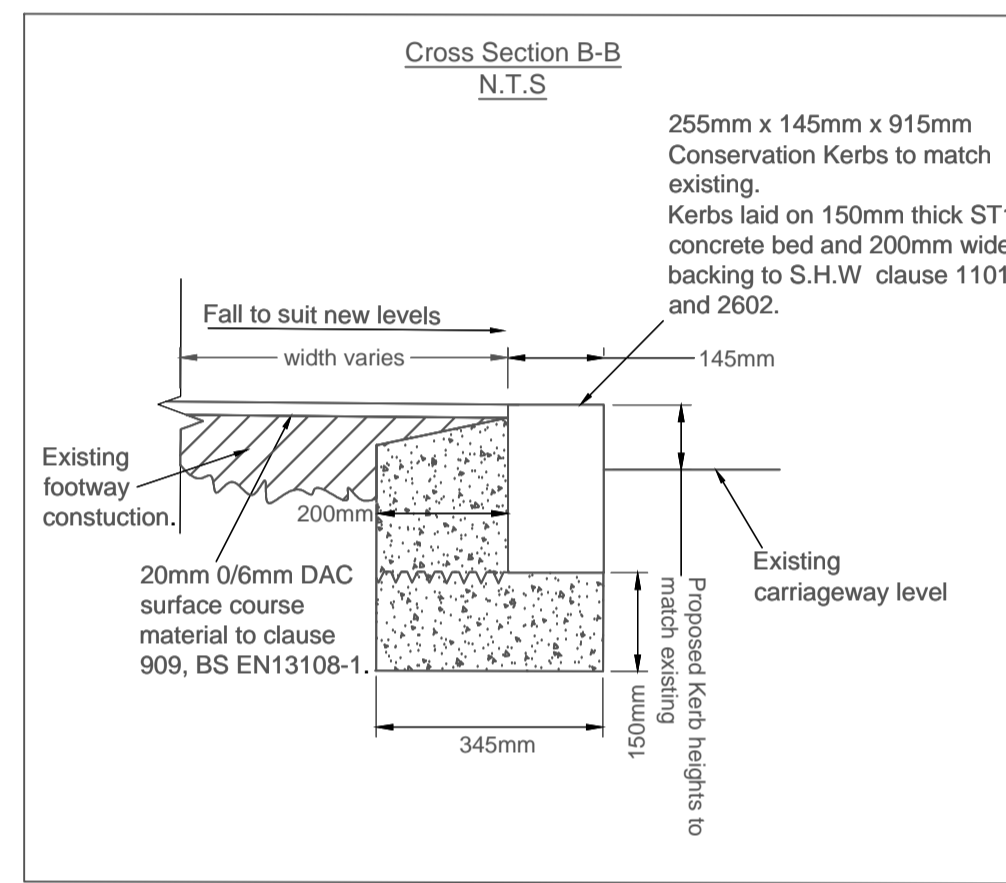
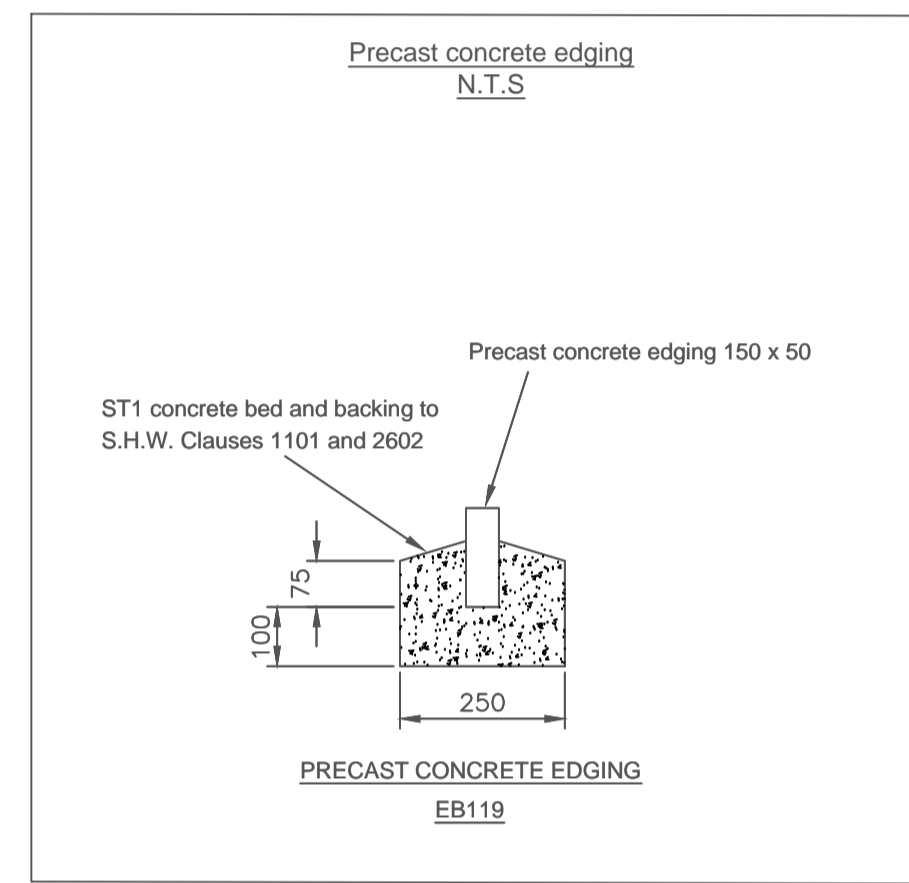


- General Construction Notes**
- Do not scale. This drawing is to be read in conjunction with all other contract drawings and documents.
  - All works to be in accordance with the Department of Transport Specification for Highway Works and Essex County Council Specifications and Standard Construction Drawings.
  - Drawing to be read in conjunction with E08-020B-022-200-01
- Key**
- Area of interest
  - Relay set aside granite slabs on 30mm of sharp sand - Area 60m<sup>2</sup> Any damaged slabs to be replaced like for like (refer to section A-A)
  - Proposed precast concrete dish channel (refer to detail) - Length 30m
  - Proposed Kassel kerbs (refer to detail) - Length 30m
  - Proposed footway construction to be: 20mm 0 / 06 DAC Surface Course as per clause 909 - Area 31m<sup>2</sup> (refer to section B-B)
  - Proposed conservation kerbs (refer to detail) to tie in with existing - Length 9.5m
  - Reinstate bin into original location
  - Existing kerbs to remain
  - Existing granite slabs to remain
  - Existing Asphalt footway to remain

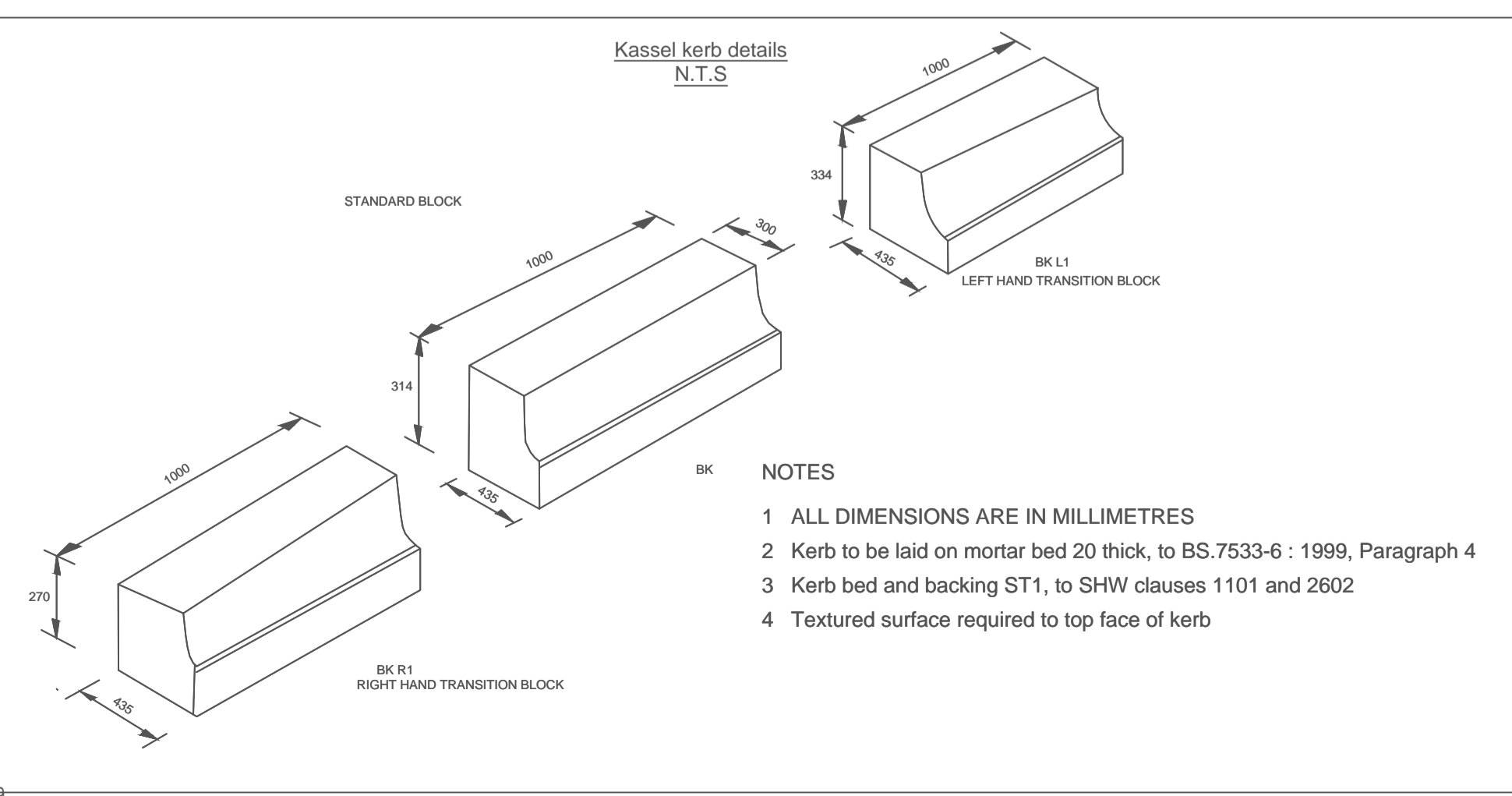


Rev.	Date	Description of revision	Drawn	Checked	Reviewed	Approved

**DRAWING STATUS**

**DETAILED DESIGN**

Essex Highways, Seax House, Victoria Road South, Chelmsford, CM1 1QH.  
Tel: 0345 6037631 © Essex County Council



**SCHEME TITLE**

**HADLEIGH PUBLIC REALM IMPROVEMENTS E08-020B-023 SS7 2RD**

**DRAWING TITLE**

**GENERAL ARRANGEMENT**

DESIGNED	DRAWN	CHECKED	REVIEWED	APPROVED
MPM	MPM	BSE	JO	JO
DATE	DATE	DATE	DATE	DATE
SEP 19	SEP 19	SEP 19	SEP 19	SEP 19

DRAWING UNITS U.N.O. DIMENSIONS IN METRES LEVELS IN MILLIMETRES SCALE AT A1 (841X594mm) AS SHOWN

DRAWING No. **E08-020B-022-1100-01** REV. -